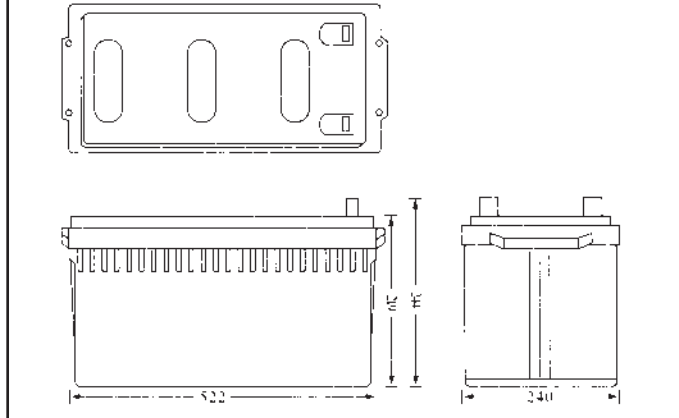


HGL200-12

Valve Regulated Sealed Lead-Acid Battery



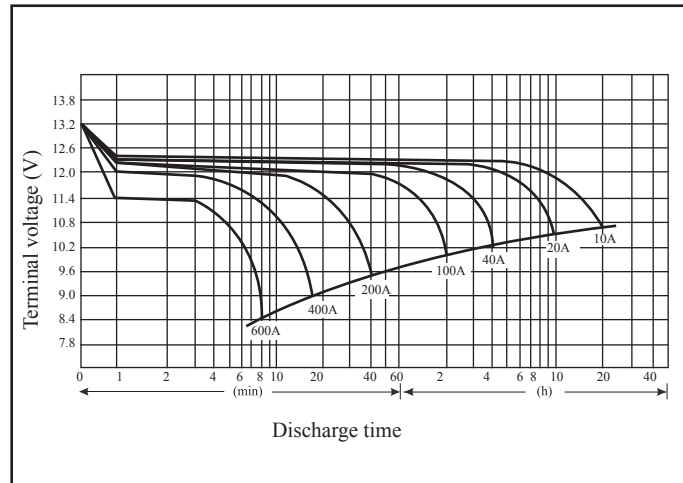
Dimensions (mm)



Specifications

Nominal Voltage		12V
Rated Capacity (20 hours rate)		200Ah
Dimensions (± 2mm)	Total Height (with terminals)	
	Length	522mm
	Width	240mm
	Height	219mm
Approx. Weight		64kg
Standard Terminal		A7

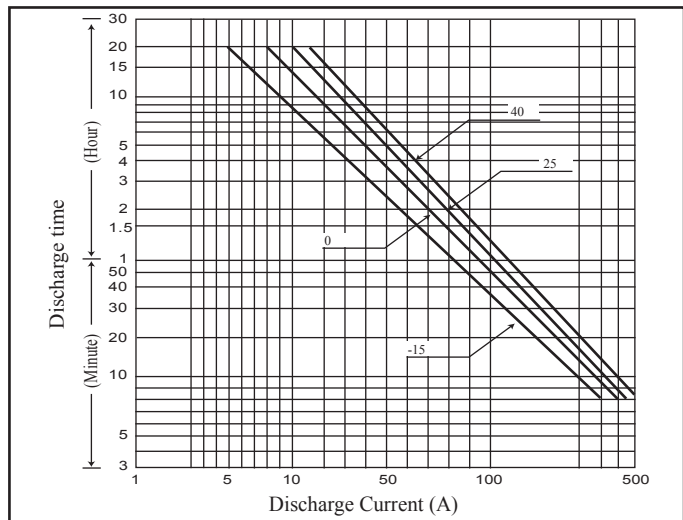
Discharge Characteristics



Characteristics

Capacity (25°C)	20 hour rate (10A)	200AH	
	10 hour rate (18.6A)	186AH	
	5 hour rate (34A)	170AH	
	1 hour rate (114A)	114AH	
Internal Resistance	Fully charged Battery 25°C	Approx. 2.6m	
Capacity affected by temperature (20 hour rate)	40°C	102%	
	25°C	100%	
	0°C	85%	
	-15°C	65%	
Self Discharge (25°C)	Capacity after 3 months storage	92%	
	Capacity after 6 months storage	83%	
	Capacity after 12 months storage	65%	
Charge Method (Constant Voltage)	Cycle use	Initial Current	60A or smaller
		Control Voltage	14.4 to 15.0V (25°C)
	Standby use	Initial Current	60A or smaller
		Control Voltage	13.6 to 13.8V (25°C)

Discharge current & Duration Time



* The above data are average and obtained within three charge/discharge cycles. Cycles not the minimum values.