



MULTI RANGE TIMER AH3-A-B-C-D-E





M+Y RATED VOLTAGE 24V-240V AC/DC AVAILABLE

CHARACTERISTICS

- Exclusive CMOS IC assures high performance stability, and accuracy.
- 4 Time range can be changed with ease by merely exchanging DIP switch.
- Easy - to - monitor DIP switch positions, time series and operation voltage.
Five time series with wide timing ranges from 0.1 sec. to 30 hrs.
- Output contact: Time delay contacts 2C (DPDT) 10A.

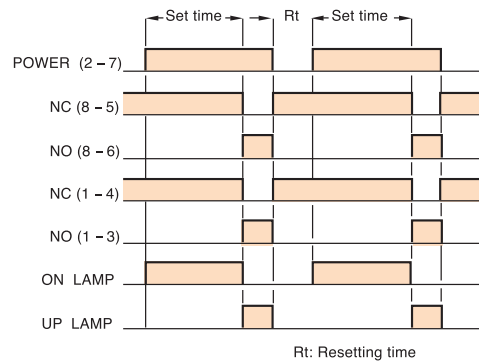
TIME RANGE

Four time are available for each timer by setting the DIP switches to required positions.

Time range series	Position of time range selector			
				
A	1S (0.05S-1S)	10S (0.1S-10S)	60S (0.5S-60S)	10M (10S-10M)
B	3S (0.05S-3S)	30S (0.5S-30S)	3M (1S-3M)	30M (30S-30M)
C	6S (0.1S-6S)	60S (0.5S-60S)	6M (1S-6M)	60M (30S-60M)
D	60S (0.5S-60S)	10M (10S-10M)	60M (30S-60M)	10H (10M-10H)
E	3M (1S-3M)	30M (30S-30M)	3H (3M-3H)	30H (1H-30H)



OPERATION TIME CHART



SPECIFICATIONS

RATED VOLTAGE	AC 110V, 220V, 380V, 440V, DC 12V, 24V,
Rated frequency	50/60Hz.
OPERATING VOLTAGE	AC 85-110% of rated voltage. DC 80-110% of rated voltage.
CONSUMED POWER	About 2VA FOR AC. About 2W FOR DC.
CONTROL METHOD	Time-limit operation Self-resetting
CONTACT RATING	250V AC 10A (P.F.=1)
AMBIENT TEMP.	-10°C~+55°C
AMBIENT HUMIDITY	45~85% RH

CONNECTION DIAGRAM

