







# MULTI RANGE TIMER AH3-AB

## CHARACTERISTICS

- Exclusive CMOS IC assures high performance stability, and accuracy.
- High repeat accuracy  $\pm 1\%$ .
- Short resetting time-100 msec. ax.
- Wide variety of type-14 time ranges. (0.1 sec. to 10 hrs)
- 2 modes selectable via slide switch: Mode A(2C) for DPDT time-limiting output contacts and Mode B(1A1C) for SPDT instantaneous and time-limiting output contacts

## TIME RANGE

Four time are available for each timer by setting the DIP switches to required positions.

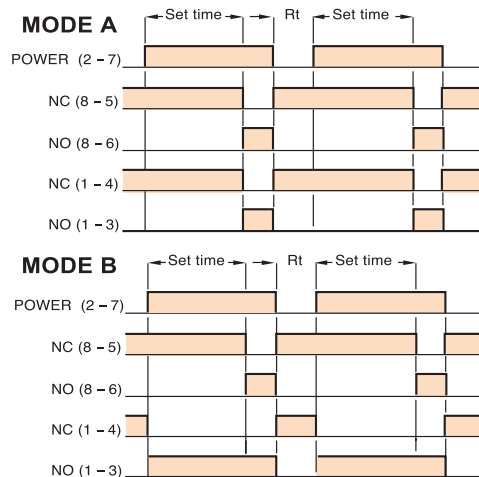
Time range	Position of time range selector			
				
series				
A	1S (0.05S-1S)	10S (0.1S-10S)	60S (0.5S-60S)	10M (10S-10M)
B	3S (0.05S-3S)	30S (0.5S-30S)	3M (1S-3M)	30M (30S-30M)
C	6S (0.1S-6S)	60S (0.5S-60S)	6M (1S-6M)	60M (30S-60M)
D	60S (0.5S-60S)	10M (10S-10M)	60M (30S-60M)	10H (10M-10H)
E	3M (1S-3M)	30M (30S-30M)	3H (3M-3H)	30H (1H-30H)

## SPECIFICATIONS

RATED VOLTAGE	AC 110V, 220V, 380V, 440V, DC 12V, 24V,
Rated frequency	50/60Hz.
OPERATING VOLTAGE	AC 85-110% of rated voltage. DC 80-110% of rated voltage.
CONSUMED POWER	About 2VA FOR AC. About 2W FOR DC.
CONTROL METHOD	Time-limit operation Self-resetting
CONTACT RATING	250V AC 10A(P.F.=1)
AMBIENT TEMP.	-10°C~+55°C
AMBIENT HUMIDITY	45~85% RH



## OPERATION TIME CHART



## CONNECTION DIAGRAM

