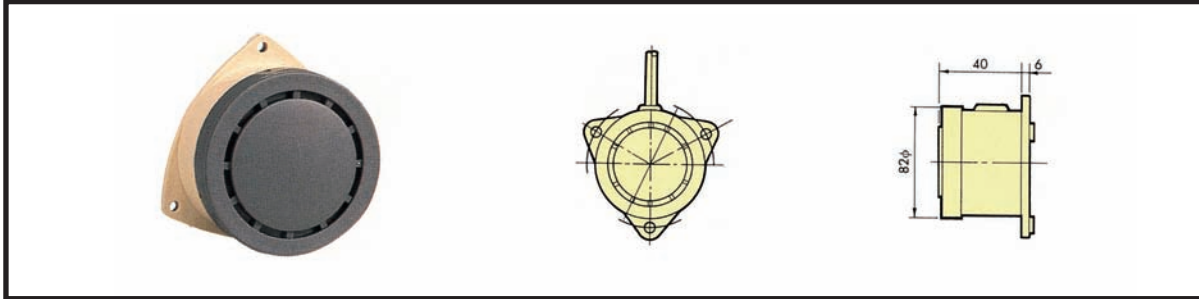
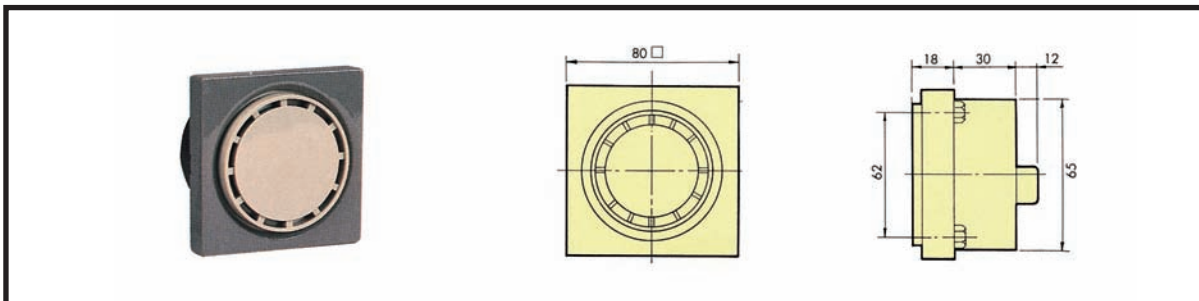
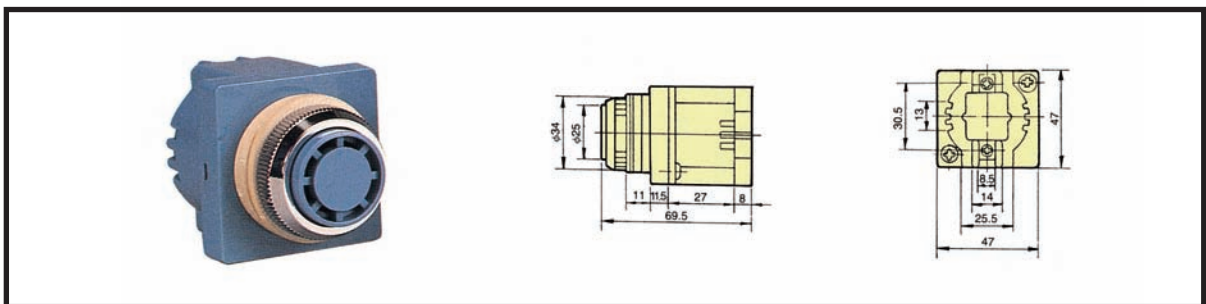



BUZZER

unit: mm

CBZ-10

CBZ-20

CBZ-30

SPECIFICATIONS

TYPE	RATING	MOUNTING STYLE	VOLUME(D.B)	WEIGHT
CBZ-10	AC 110V ● 220V ● 380V DC 12V ● 24V	SURFACE MOUNTING	80	160g
CBZ-20	AC 110V ● 220V ● 380V DC 12V ● 24V	FLUSH MOUNTING	80	190g
CBZ-30	AC 110V ● 220V DC 12V ● 24V	FLUSH MOUNTING	40	125g