

# ALF2 Cable Glands For Non-Aromored cable



**FLAMEPROOF**

Ex d IIC Zone 1 and 2 ( acc. To IEC60079-1)

★ NEC. Class I, Div. 2 Groups B,C,D

Class II, Div. 1 and 2 Groups E,F,G

Class III,



ISO9001:2008

**Protection Index:**

IP 66 ( acc. To IEC60529)

**Applications:**

ALF 2 cable glands for use with round non-armored cable from flexible coupling to enclosure.

They are suitable to be installed in potentially explosive atmospheres.



ALF 2

**Features:**

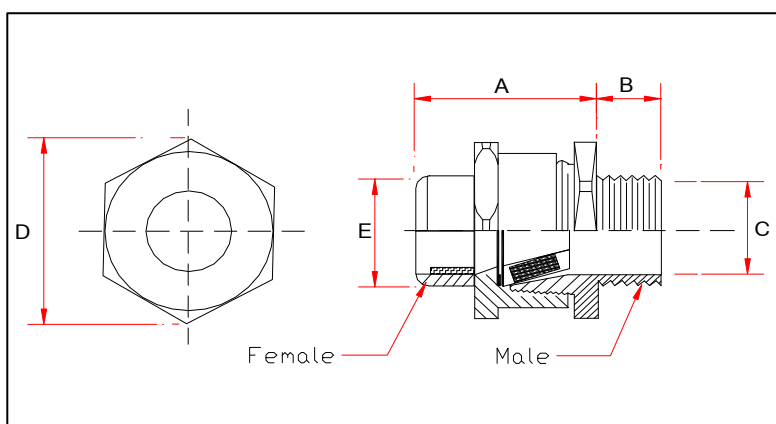
- Bronze construction, finished with chromium plate.
- Male thread on one end and female thread on another end for flexible coupling or conduit.
- Neoprene bushing provides oil and water resistant seal.
- Slip ring prevents the bushing twisted during assembly.

**Standard Materials:**

- Body, gland nut - Bronze
- Bushing, O-ring - Neoprene
- Slip ring - Stainless steel

**Standard Finishes:**

- Bronze - Chromium plated
- Stainless steel - Natural



Cable Jacket Outer Diameter (mm.)	Cat.,No.	Male Thread NPT Size (inch)	Dimensions in mm.				
			A	B	C	D	E
9 - 14.5	ALF2 - 114	1/2"	51	16	14	37	14
9 - 14.5	ALF 2 - 214	3/4"	51	21	19	35	19
14.6 - 19.5	ALF2 - 319	1"	55	20	26	35	26
19.6 - 24.5	ALF2 - 424	1.1/4"	61	19	34	61	34
24.6 - 30.5	ALF2 - 530	1.1/2"	69	19	34	61	34
30.6 - 40.5	ALF2 - 640	2"	76	19	49	80	49
40.6 - 48.5	ALF2 - 748	2.1/2"	85	19	39	69	39
48.6 - 58.5	ALF2 - 858	3"	90	19	49	80	49

★ May be used in hazardous locations only with specific cords or cables and installed in accordance with NEC requirements.

