

JBB Junction Boxes

B
Bosston
 A QUALITY PRODUCT

EXPLOSIONPROOF

For UL.60079-1 Standard Class I,II Div.1 and 2 Groups C,D,E,F and G

For IEC.60079-0/1 Standard Zone 1 and Zone 2



ISO9001:2008

Technical data

Type of Protection: Ex d IIA ,IIB T6

Conforming to : Standards IEC 60079-1 or UL 60079-1

Marking for test : Ex II2G

Degree of Protection : IP65 without seal O-ring

IP 66 with seal O-ring

acc.to IEC 60592

Ambient Temp. (Ta) : -20°C to+ 55 °C

Type : JBB

Protection class for UL. : Class I, Division1 or 2 Group.C,D

Class II, Division 1 or 2 Groups.E,F,G

Class III

Protection class for IEC : Zone1and Zone 2



Suffix added
to Cat., No.

Applications:

The JBB junction boxes are designed for use in hazardous areas where flammable gases, dusts or flying fibers are present.

to provide openings for taps, splices or pull box.

to enclose terminals, meters, relays or other electrical devices.

in indoor or outdoor *1 in damp or wet locations or certain corrosive environments.

Features:

- High tensile strength copper free aluminium bodies with corrosion resistant.
- Rectangular shape, bolted cover,
- Designed to maximize the internal volume.
- Conduit openings drilled as per customer requirements.
- Provided with mounting lugs.
- Rated voltage max. 800V.AC. (as per equipment specification)

Standard Materials:

- Body and cover - Copper-free aluminium
- Bolts - Stainless steel
- Hinge # - Aluminium or Bronze
- Handle # - Stainless steel
- Mounting plate # - Steel
- Gasket # - Neoprene

Options :

Hinges and handle	H
Mounting plate	M
O-Ring gasket : Silicone -40°C to + 175°C	G
Drain fitting	D
Terminal blocks	T
(information is requested)	
M8 Earth stud bolts with terminal lug for external ground	
Stopping plug for entries thread	
Glass windows	

Standard Finishes:

- Copper-free aluminium - Epoxy-polyester powder
- Stainless steel - Natural
- Bronze - Epoxy-polyester powder
- Steel - Zinc electro-plated

* 1 O-Ring for raintight fit is optional.



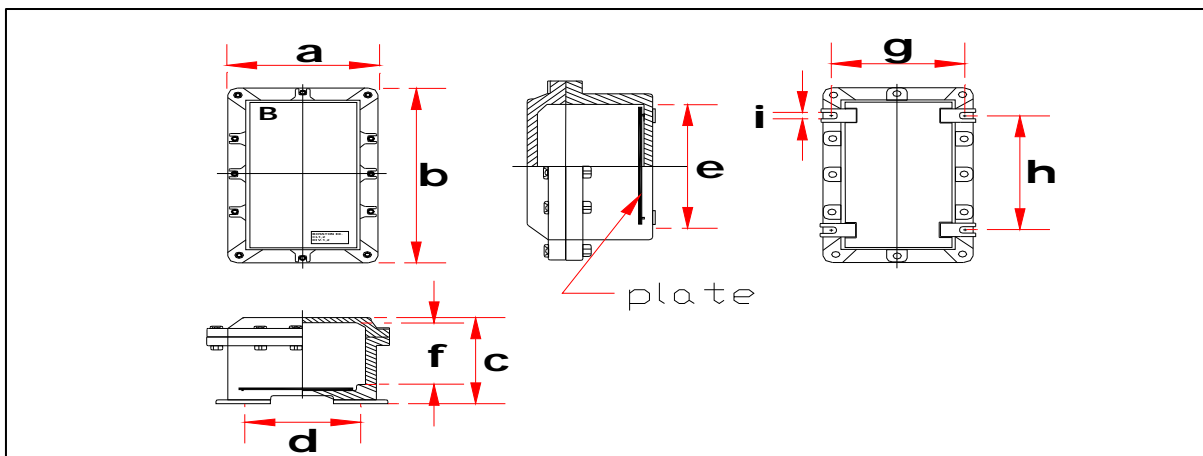
JBB Junction Boxes

EXPLOSIONPROOF

For UL.60079-1 Standard Class I,II Div.1 and 2 Groups C,D,E,F and G

For IEC.60079-0/1 Standard Zone 1 and Zone 2

Catalogue Number and Dimensions:



Cat.,No.	Outside box Dimensions (mm.)			Inside box Dimensions (mm.)			Mounting Lugs Dimensions (mm.)			Maximum Conduit Size, NPT (inch)
	a	b	c	d	e	f	g	h	l	
JBB 333	89	89	85	73	73	76	-	-	-	3/4"
JBB 354	87	133	109	80	122	82	65	155	7.5	3/4"
JBB 4105	106	252	126	87	234	97	70	275	7.5	1
JBB 4125	106	320	125	90	305	119	70	343	7.5	1
JBB 584	141	196	103	93	137	89	140	130	13	1
JBB 685	157	209	143	93	143	122	145	140	16	1.1/4
JBB 6103	157	254	85	93	187	65	145	190	16	1.1/4
JBB 6145	157	360	132	85	287	101	160	270	16	1
JBB 886	211	211	165	140	140	141	200	130	16	1.1/4
JBB 8106	222	254	145	137	187	122	200	170	16	1.1/4
JBB 8126	205	313	145	144	242	115	230	215	16	1.1/4
JBB 9146	228	363	148	150	275	145	230	250	16	1.1/4
JBB 9167	245	410	180	167	319	148	250	300	16	2.1/2
JBB 9187	230	457	190	140	366	164	220	315	16	2.1/2
JBB 10207	254	508	222	159	412	184	250	375	16	2.1/2
JBB 12126	314	314	168	234	234	147	225	230	16	1.1/4
JBB 13219	332	535	245	249	449	207	330	395	16	3
JBB 151510	381	381	265	288	288	224	235	380	16	4
JBB 16209	405	507	230	319	419	187	410	395	16	3
JBB 162610	405	660	258	305	558	219	400	510	16	4
JBB 162910	405	725	260	305	625	219	420	575	16	4
JBB 18189	457	457	222	353	353	180	275	445	16	4
JBB 20209	556	556	230	420	420	190	360	490	16	3
JBB 20249	500	664	220	409	509	179	485	475	16	3
JBB 202414	500	664	360	409	509	320	485	475	16	4
JBB 203210	508	810	260	405	720	201	510	605	16	4
JBB 203611	519	924	302	420	820	252	530	775	16	4
JBB 252511	645	645	280	550	550	252	505	630	16	4
JBB 284411	700	1100	285	610	1010	252	700	400	16	4