

JBE Junction Boxes

EXPLOSIONPROOF

For UL.60079-1 Standard Class I Div. 2 Groups B,C,D

Class II Div. 1 and 2 Groups E,F,G

For IEC.60079-1 / 15 Standard Zone 1 and Zone 2

● Technical data

Type of Protection: Ex d IIA T6

Conforming to : Standards IEC 60079-1/ 15 or UL 60079-1/15

Marking for test : Ex II2G

Degree of Protection : IP54 without seal O-ring

IP 66 with seal O-ring

acc.to IEC 60592

Ambient Temp. (Ta) : -20°C to+ 55 °C

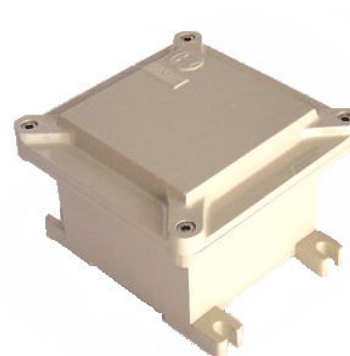
Type : JBE

Protection class for UL. : Class I, Division 2 Group.B,C,D

Class II, Division 1 or 2 Groups.E,F,G

Class III

Protection class for IEC : Zone1and Zone 2



● Applications:

JBE boxes are constructed according to the increased safety explosionproof type. These boxes mainly serve as the junction boxes for cable connection, or pull and splice boxes. The enclosure may also serve to house electrical component such as switches, circuit breakers, contactors, control units, relays, terminal blocks, measuring and indicating devices.

● Features:

- Copper-free aluminium construction and coated with epoxy-polyester powder for corrosion resistant.
- Stainless steel bolts.
- Optional silicone gasket for excellence waterproof.
- Optional steel plate provided for equipment mounting.
- Optional provided with terminal blocks for 1.5 Squmm. To 40 Squmm. Or copper bus bar for junction box.
- Openings provide for direct cable or conduit entries in NPT or ISO threads with optional stopping plugs for unused thread.
- Optional provided with M8 earth stud bolt.
- Optional provided with glass windows.

● Standard Materials:

- Body and cover - Copper-free aluminium alloy with epoxy-polyester power
- Seal gasket - Silicone -40°C to + 175°C
- Lid screws - Stainless steel

● Explosion Category:

- UL. IIA T6 for Zone 2 (UL.60079-15)
- IEC IIA T6 for DUST Zone 1 (IEC 60097-1)
- IEC IIA T6 for Zone 2 (IEC 60079-15)

● Option

- M8 Earth stud bolts with terminal lug for external ground
- Stopping plug for entries thread
- Glass windows

JBE Junction Boxes



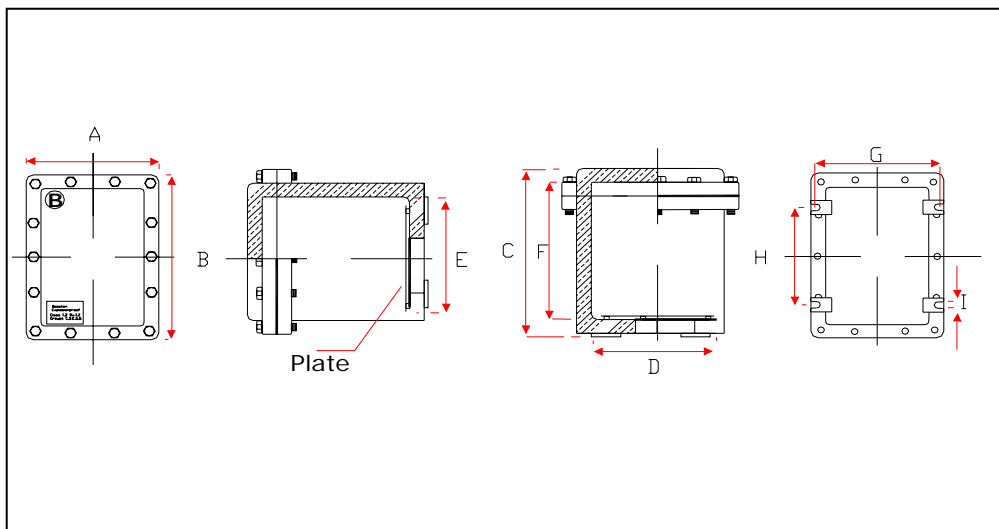
EXPLOSIONPROOF

For UL.60079-1 Standard Class I Div. 2 Groups B,C,D

Class II Div. 1 and 2 Groups E,F,G

For IEC.60079-1 / 15 Standard Zone 1 and Zone 2

Catalogue Numbers and Dimensions: in mm.



Cat.,No.	Outside box			Inside box			Mounting Lugs			Maximum	Conduit Size	Approx. Weight
	a	b	c	d	e	f	g	h	i	NPT (inch)	ISO	(kgs.)
JBE 885												
JBE 9116	242	292	163	165	215	107	218	135	10	2"	M63	11.80
JBE 9148	238	347	213	183	294	163	185	133	10	4"	M90	15.00
JBE 10158	256	377	195	174	295	179	225	179	10	4"	M90	15.60
JBE 10207	256	510	148	174	482	151	224	308	12	2"	M63	19.50
JBE 11158	298	402	222	217	321	167	275	197	12	4"	M90	19.80
JBE 12128	296	296	213	215	215	171	217	134	10	4"	M90	12.00
JBE 121819	308	459	224	220	376	199	274	239	12	4"	M90	26.00
JBE 12239	306	530	217	221	445	179	378	363	12	4"	M90	33.70
JBE 132610	337	662	243	250	575	201	307	407	12	4"	M90	41.20
JBE 15309	375	767	226	290	682	191	342	503	15	4"	M90	48.30
JBE 162011	410	512	280	323	425	237	375	274	12	4"	M90	41.80
JBE 162511	416	626	383	337	535	239	470	310	15	4"	M90	56.20
JBE 173111	442	778	269	350	686	226	427	479	15	4"	M90	61.10
JBE 173511	440	884	270	351	795	260	432	587	15	4"	M90	70.00
JBE 202011	520	520	281	426	426	221	515	275	15	4"	M90	54.20
JBE 222811	579	733	285	481	635	220	570	440	15	4"	M90	86.00
JBE 223511	560	872	270	456	768	224	530	592	15	4"	M90	83.50
JBE 224111	558	1052	270	455	949	224	533	765	15	4"	M90	102.50
JBE 232311	567	567	281	482	482	225	560	301	15	4"	M90	68.60
JBE 254511	632	1156	271	510	1034	221	588	667	15	4"	M90	127.00
JBE 273811	683	958	283	558	833	235	638	655	15	4"	M90	116.50
JBE 292911	742	742	290	638	638	231	716	438	15	4"	M90	105.60
JBE 293611	754	914	302	638	798	225	731	570	15	4"	M90	156.00
JBE 314314	776	1089	355	646	959	294	732	580	15	4"	M90	199.00