



ISO9001:2008

CL Clamps
CLB Back Clamps



Application

CL clamps and CLB back clamps are used for rigid steel conduit (RSC), intermediate metal conduit (IMC) or cable fixing in dry, wet or corrosive locations.

Standard Materials:

- Body - Copper-free aluminium

Standard Finishes:

- Copper-free aluminium - Epoxy-polyester powder coated

Standard Size:

- 1/2 to 2 inches NPT

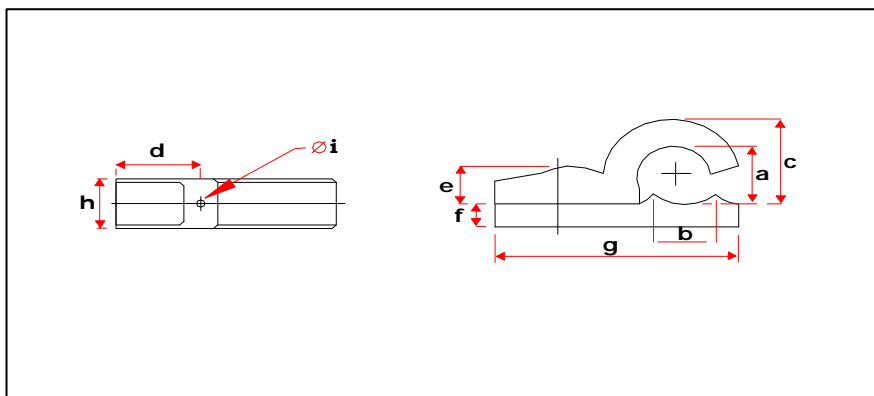
CL



CLB



Catalogue Numbers and Dimensions:



Conduit Size (inch)	Cat.No.		Dimension in mm.								
	Clamps	Back Clamps	a	b	c	d	e	f	g	h	i
1/2"	CL1	CLB1	19	19	30	22	10	8	70	16	6
3/4"	CL2	CLB2	25	23	33	22	11	8	77	16	6
1"	CL3	CLB3	31	28	40	24	12	10	85	16	7
1.1/4"	CL4	CLB4	40	35	47	28	14	10	98	25	8
1.1/2"	CL5	CLB5	44	38	54	28	14	10	105	25	8
2"	CL6	CLB6	58	47	68	35	14	12	127	29	8

ISO9001:2008

Applications:

BH conduit bushings are used at the end of Rigid steel Conduit (RSC) or Intermediate Metal Conduit (IMC) to protect the cables insulation from abrasion when pulling or mechanical vibration.



BH

Standard Materials:

- Copper-free aluminum

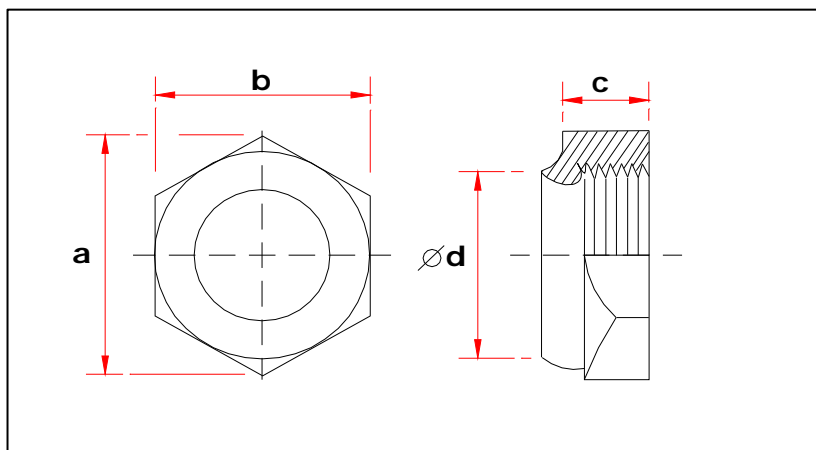
Standard Finishes:

- Epoxy-polyester powder coated.

Standard Sizes:

- 1/2 to 2 inches NPT conduit size.

Catalogue Numbers and Dimensions:



Conduit Size (inch)	Cat.,No.	Dimension in mm.			
		a	b	c	∅ d
1/2"	BH1	38	34	13	15
3/4"	BH2	44	40	13	20
1"	BH3	51	45	15	24
1.1/4"	BH4	57	52	15	35
1.1/2"	BH5	65	59	15	40
2"	BH6	74	69	15	52

Specification

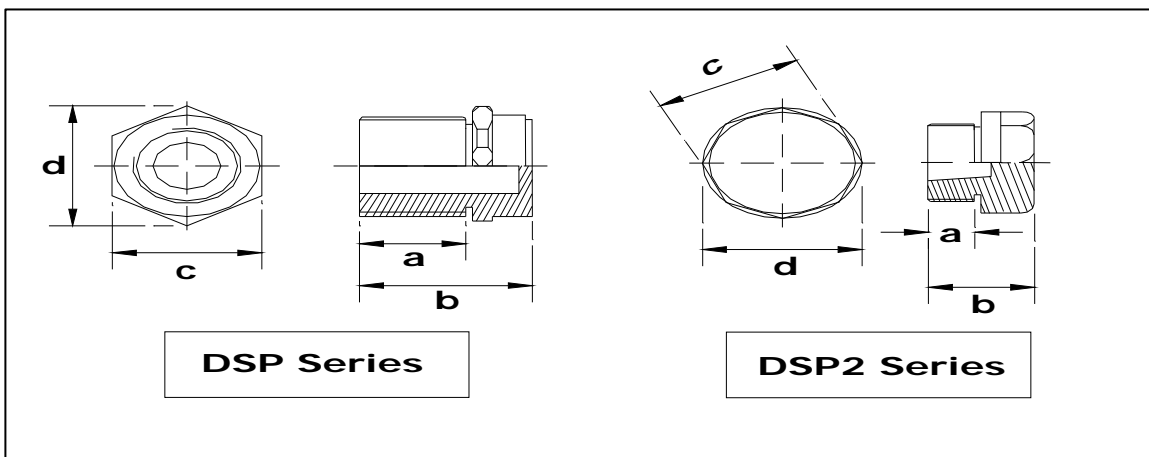
Technical data

Type fo protection : Ex d II C T6 (for Zone 1&2)
 Conforming to : IEC60079-1
 Marking : **CE** 0102 Ex II2G Exd IIC T6
 Degree of proedction : IP 54 (without gasket)
 IP 66 (with gasket)
 acc.to IEC 60529
 Ambient temp.(Ta) : -20 ° C to +75 ° C

DSP series : ISO9001:2008
 DSP2 series : Copper-free aluminium alloy with epoxy-polyester powder coated.
 Entry thread seal : Thermoplastic elastomer or NBR rubber (option)



Catalogue number



Cat.,No.	Entries Thread NPT (inch)	Dimensions				Cat.,No.	Entries Thread NPT (inch)	Dimensions			
		a	b	c	d			a	b	c	d
DSP-N1	1/2"	17	31	24	26.5	DSP2-N1	1/2"	11.8	27.3	28	31
DSP-N2	3/4"	17	31	31	34	DSP2-N2	3/4"	11.8	27.3	35	38
DSP-N3	1"	22	38	38	42	DSP3-N3	1"	16.5	33	41	45
DSP-N4	1.1/4"	22	38	51	56	DSP4-N4	1.1/4"	16.5	33	53	58
DSP-N5	1.1/2"	22	38	57	63	DSP5-N5	1.1/2"	16.5	33	58	62
DSP-N6	2"	22	38	70	77	DSP6-N6	2"	16.5	33	70	76
DSP-M16	M16 x 1.5	14	28	22	24.5	DSP2-M16	M16 x 1.5	11.8	27.3	28	31
DSP-M20	M20 x 1.5	14	28	24	26.5	DSP2-M20	M20 x 1.5	11.8	27.3	28	31
DSP-M25	M25 x 1.5	14	28	31	34	DSP2-M25	M25 x 1.5	11.8	27.3	35	38
DSP-M32	M32 x 1.5	14	30	38	42	DSP2-M32	M32 x 1.5	16.5	33	41	45
DSP-M40	M40 x 1.5	14	30	51	56	DSP2-M40	M40 x 1.5	16.5	33	53	58
DSP-M50	M50 x 1.5	14	30	57	63	DSP2-M50	M50 x 1.5	16.5	33	58	62
DSP-M63	M63 x 1.5	14	30	70	77	DSP2-M63	M63 x 1.5	16.5	33	70	76
DSP-M75	M75 x 1.5	14	30	76	84	DSP2-M75	M75 x 1.5	27	46	82	89
DSP-M90	M90 x 2.0	19	41	101	112	DSP2-M90	M90 x 2.0	27	46	98	103
DSP-M100	M100 x2.0	19	41	114	126	DSP2-M100	M100 x2.0	27	46	120	126