

EBNP,EBNB,EBNC Rotating Beacon



Bosston

A QUALITY PRODUCT

EXPLOSIONPROOF

For UL.60079-1 Standard Class I,II Div.1 and 2 Groups C,D,E,F and G

For IEC.60079-0 to 1 Standard Zone 1 and Zone 2



ISO9001:2008

Technical data

- Type of Protection: Ex d IIA T6
- Conforming to : Standards IEC 60079-0 to 1 or UL 60079-1
- Marking for test : Ex II2G
- Degree of Protection : IP 65 / 66 acc.To IEC 60529
- Ambient Temp. (Ta) : -20°C to+ 55°C
- Rated Voltage : 12 - 24V.DC, 110 - 220V.AC. 50/60Hz
- Type : EBNP,EBNC,EBNB
- Transparent cover : Borosilicate glass
- Filter : Plastic in red colour
- Protection class for UL. : Class I, Division1 or 2 Group.C,D
Class II, Division1 or 2 Groups.E,F,G
Class III
- Protection class for IEC : Zone1and Zone 2

Pendant type



Bracket Type



Ceiling Type

Applications:

The EBN rotating beacon is specially designed to use in hazardous areas where the audible signals cannot be heard in process area where need a visual signal for communication such as to warn of unsafe conditions. for outdoor and corrosive environments.

Features:

- Factory sealed, easy installation.
- copper-free aluminium body and coated with epoxy-polyester powder for high corrosion resistant.
- Heat and impact resistant glass globes.
- Provided a small motor drive to rotate the reflector 180 flashes per minute.
- Stainless steel guard for high corrosion resistant.
- 3 Type is pendant,ceiling, and bracket Type
- 3/4" NPT. For ceiling and bracket type or 1/2" NPT for pendant Type

Standard Materials:

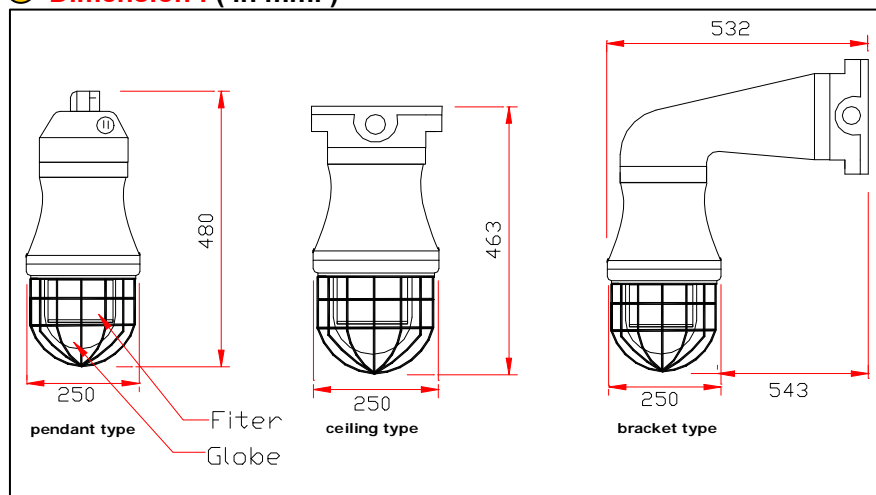
- Body - Copper-free aluminium
- Globe - Heat and impact resistant glass
- Guard and screws - Stainless steel

Standard Finishes:

- Copper-Free aluminium - Epoxy-polyester powder
- Stainless steel - Natural

Lamp Watts	Cat.,No.		
	Pendant	Bracket	Ceiling
10 ✨	EBNP10 <input type="checkbox"/>	EBNB10 <input type="checkbox"/>	EBNC10 <input type="checkbox"/>
30 ✨	EBNP30 <input type="checkbox"/>	EBNB30 <input type="checkbox"/>	EBNC30 <input type="checkbox"/>

Dimension : (in mm.)



Note :

- Adding suffix for lens colour to Cat.,No.
R - Red, O - Orange, G - Green, B - Blue
- ✨ 12V.DC.,24V.DC., 110V.AC.,220V.AC.