





**Bosston**

A QUALITY PRODUCT

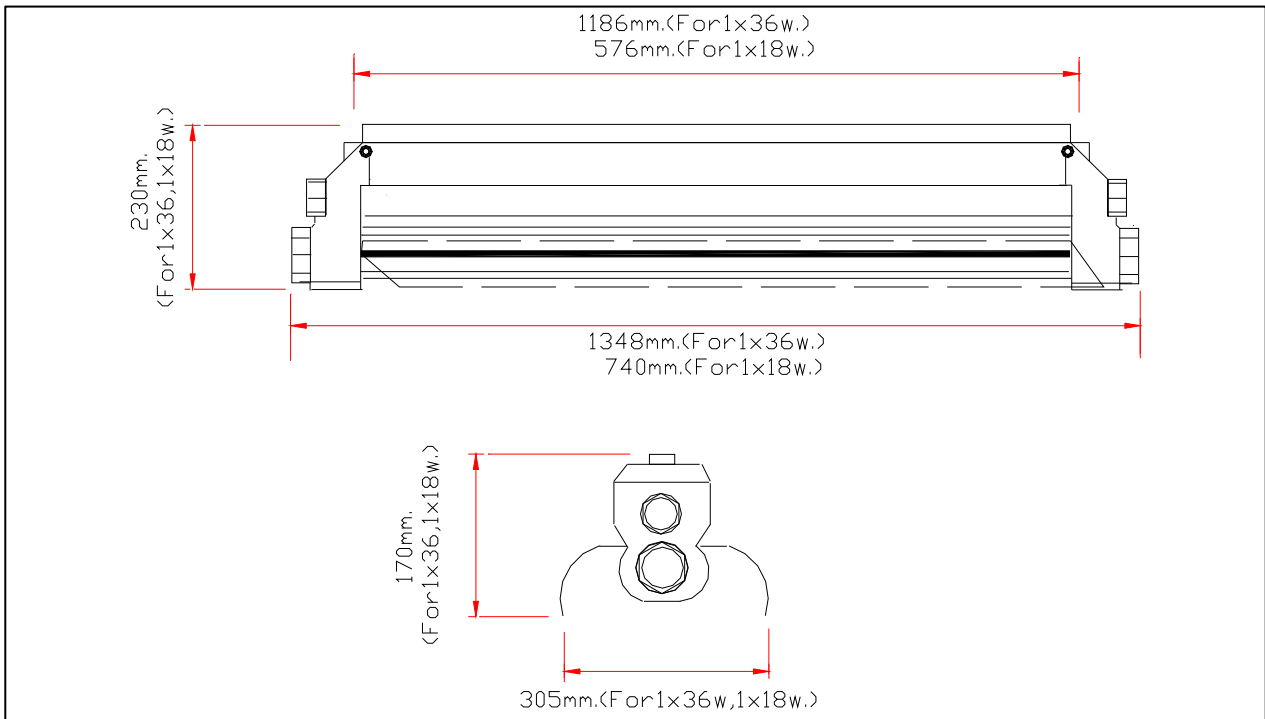
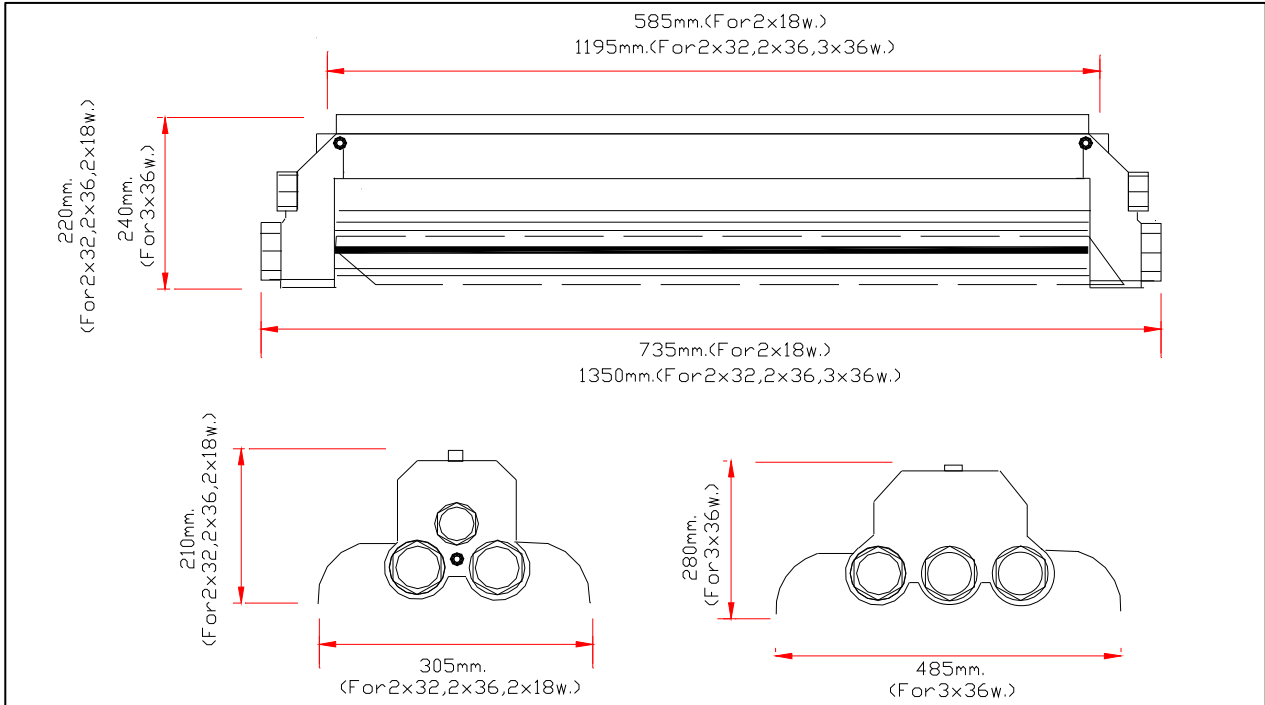
# FLUORESCENT FIXTURES FOR HAZARDOUS LOCATIONS

## EXPLOSIONPROOF

For UL.60079-1 Standard Class I, II Div.1 and 2 Groups C,D,E,F and G

For IEC.60079-0/1 Standard Zone 1 and Zone 2

Dimension In MM.



**FLUORESCENT FIXTURES FOR HAZARDOUS LOCATIONS**



**Bosston**

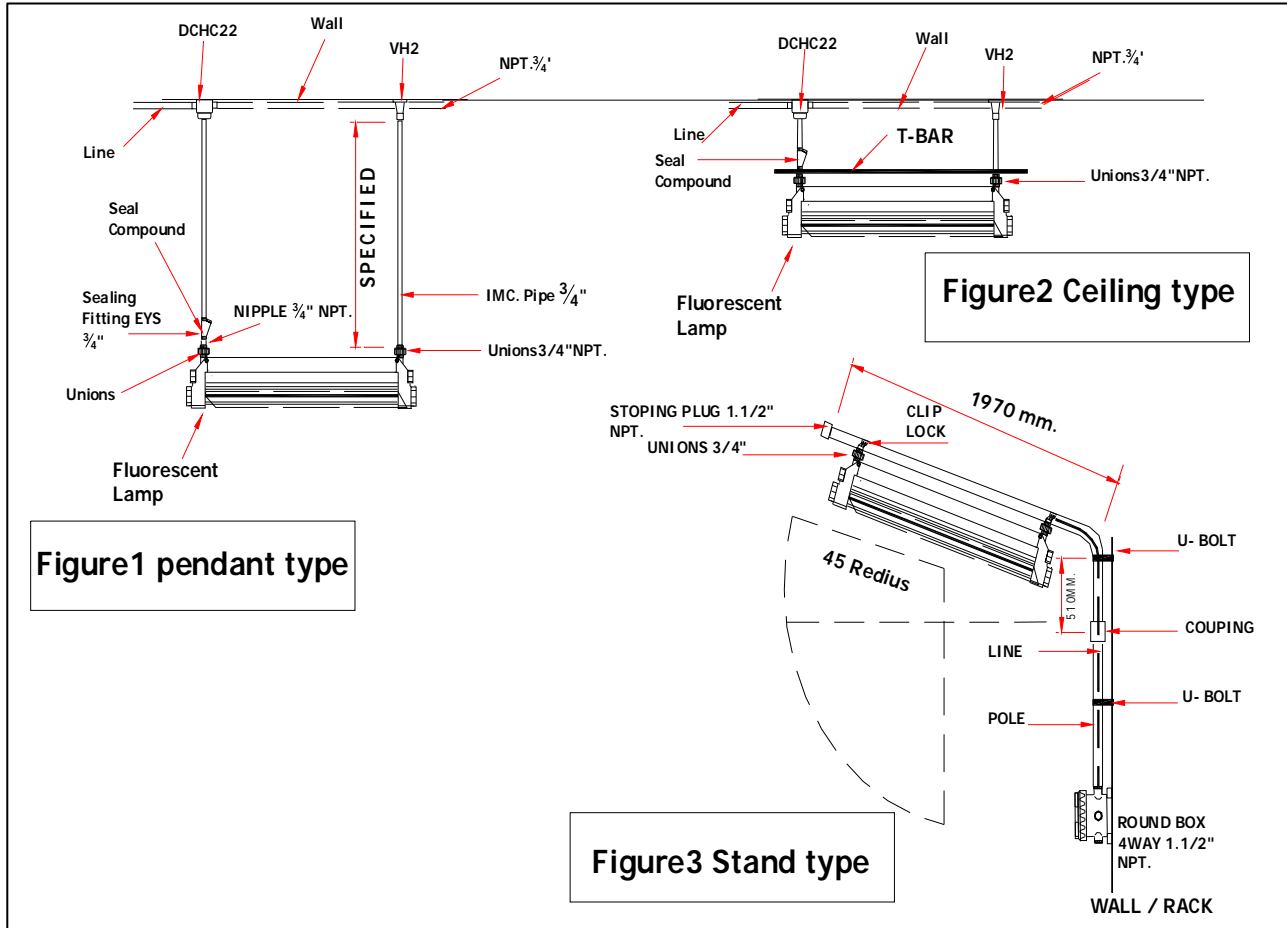
A QUALITY PRODUCT

**EXPLOSIONPROOF**

For UL.60079-1 Standard Class I, II Div.1 and 2 Groups C,D,E,F and G

For IEC.60079-0/1 Standard Zone 1 and Zone 2

Typical Installations



Catalogue Numbers:

Lamp Watts:	Cat.,No.	Weight	With Guard	Weight	Temp.Class (Surface Temp. )	
		(kgs.)	Cat.,No.	(kgs.)	40 C Ta	55 C Ta
1 x 18w.	DRTS120	9.80	DRTS 120G	10.20	T 6	T 6
1x36w.	DRTS 140	7.60	DRTS 140G	8.40	T 6	T 6
2X18W.	DRTS 220	12.40	DRTS 220G	12.80	T 6	T 6
2X32W.	DRTS 232	18.90	DRTS 232G	19.00	T 6	T 6
2X36W.	DRTS 240	17.30	DRTS 240G	17.80	T 6	T 6
3x36W.	DRTS 336	20.30	DRTS 336G	21.28	T 6	T 6

**Note :** The lighting fixture is inclusively supplied only lamp tube , ballast , Fixture Hangle(DCHC22),

Ceiling Saddle( VH2 ) , The other fittings for installation shall be separately ordered.

