



H.I.D. HIGH INTENSITY DISCHARGE LIGHTING FIXTURES

Certification Number:



TIS 1955-2542



ISO9001:2008

Technical data

Type of Protection: Ex de IIA T3 - T5

Conforming to : Standards IEC 60079-0 to 1 or UL 60079-1

Marking for test : Ex II2G

Degree of Protection : IP 66 acc.To IEC 60529

Ambient Temp. (Ta) : -20°C to+ 55°C

Rated Voltage : 220-240V.AC. 50/60Hz.

Type : E

Lamp : Mercury vapour ,High pressure sodium and Metal halide

Lamp holder : E27 , E40

Transparent cover : Borosilicate glass

Protection class for UL. : Class I, Division1 or 2 Group.C,D

Class II, Division1 or 2 Groups.E,F,G

Class III

Protection class for IEC : Zone1and Zone 2

Applications:

The *H.I.D.* For use

hazardous locations due to the presence of flammable gas or vapors,
combustible dusts. Refineries, petrochemical plants, and in other process areas.

Indoor or outdoor in wet and corrosive locations.

Features:

- Factory sealed,no external seals required, easy installation.
- Fixture body is made from copper free aluminium alloy for high corrosion resistant.
- Multi-finned out side for maximum heat dissipation.
- Heat and impact resistant glass globe.
- Stainless steel guard for high corrosion resistant.
- Ease of relamping.
- Terminal block suitable for 4 squmm. Cable and one earth terminal are provided.
- Ballast meet EN61000-3-2 , EN55015 ,EN60923

Standard Materials:

- Body and ballast housing - Copper-Free aluminium
- Globe - Heat and impact resistant glass
- Guard - Stainless steel
- Reflector - Aluminium

Standard Finishes:

- Copper-free aluminium - Epoxy-polyester power coated.
- Stainless steel - Natural
- Sheet - Epoxy - polyester powder coated.



CEILING



PENDANT



BRACKET



REFLECTOR



BALLAST HOUSING

Options:

- Stainless steel bracket add - suffix - *B*
- Guard (Stainless steel) add - suffix - *S*
- Reflector (aluminium or Stainless steel), add suffix - *R*
- Emergency power pack, add- suffix - *E*

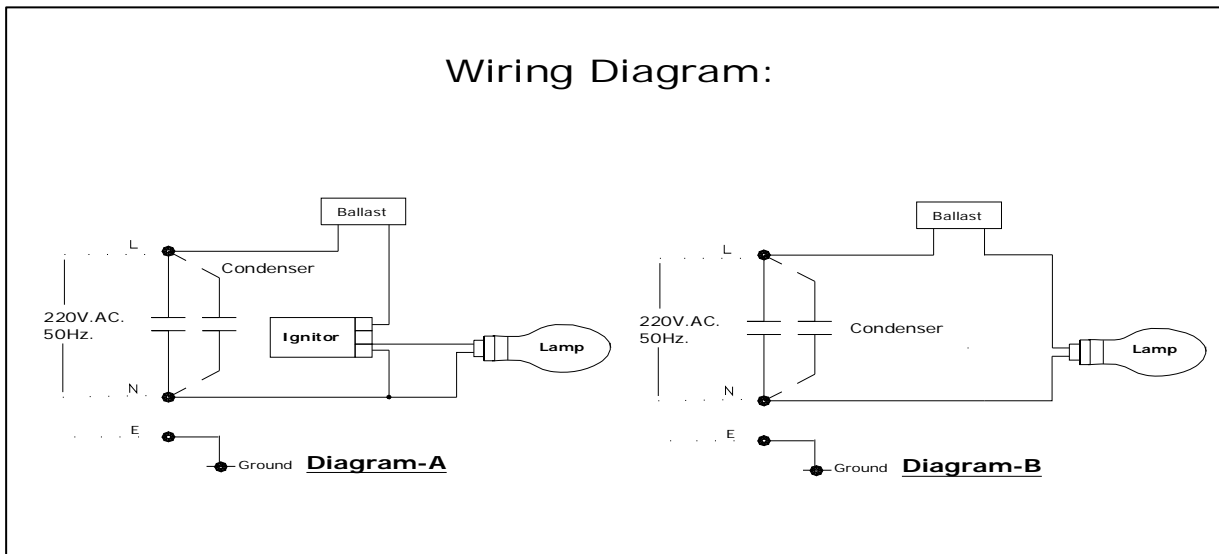


H.I.D. HIGH INTENSITY DISCHARGE LIGHTING FIXTURES

EXPLOSIONPROOF

For UL.60079-1 Standard Class I, II Div.1 and 2 Groups C,D,E,F and G

For IEC.60079-0/1 to 1 Standard Zone 1 and Zone 2



Catalogue Numbers:

Lamp Type	Lamp Watts	Hub Size NPT.(inch)	wiring Diagram	Cat.,No.				Lamp Holders.
				Ceiling Type	Pendant Type	Bracket Type	Stanchion Type	
Mercury Vapor	80	1/2",3/4"	Diagram-B	EMV 80 C	EMV 80 P	EMV 80 B	EMV 80 S	E 27
	125	1/2",3/4"	Diagram-B	EMV 125 C	EMV 125 P	EMV 125 B	EMV 125 S	E 27
	250	1/2",3/4"	Diagram-B	EMV 250 C	EMV 250 P	EMV 250 B	EMV 250 S	E 40
	400	3/4"	Diagram-B	EMV 400 C	EMV 400 P	EMV 400 B	EMV 400 S	E 40
High Pressure	70	1/2",3/4"	Diagram-B	EPS 70 C	EPS 70 P	EPS 70 B	EPS 70 S	E 27
Sodium	150	1/2",3/4"	Diagram-A	EPS 150 C	EPS 150 P	EPS 150 B	EPS 150 S	E 40
	250	1/2",3/4"	Diagram-A	EPS 250 C	EPS 250 P	EPS 250 B	EPS 250 S	E 40
	400	3/4"	Diagram-A	EPS 400 C	EPS 400 P	EPS 400 B	EPS 400 S	E 40
Metal Halide	250	1/2",3/4"	Diagram-A	EMH 250 C	EMH 250 P	EMH 250 B	EMH 250 S	E 40
	400	3/4"	Diagram-B	EMH 400 C	EMH 400 P	EMH 400 B	EMH 400 S	E 40

Type	Ceiling	Pendan	Bracket	Ceiling	Pendant	Bracket	Ceiling	Pendant	Bracket
Lamp Watts.	70 - 125			150 - 250			400		
Weight (kgs.)	5.20	4.50	6.80	9.20	8.20	10.20	11.00	10.00	12.20
Ballast Housing (watts)	70 - 125			150 - 250			400		
Weight (kgs.)	7.6			9.6			10.6		





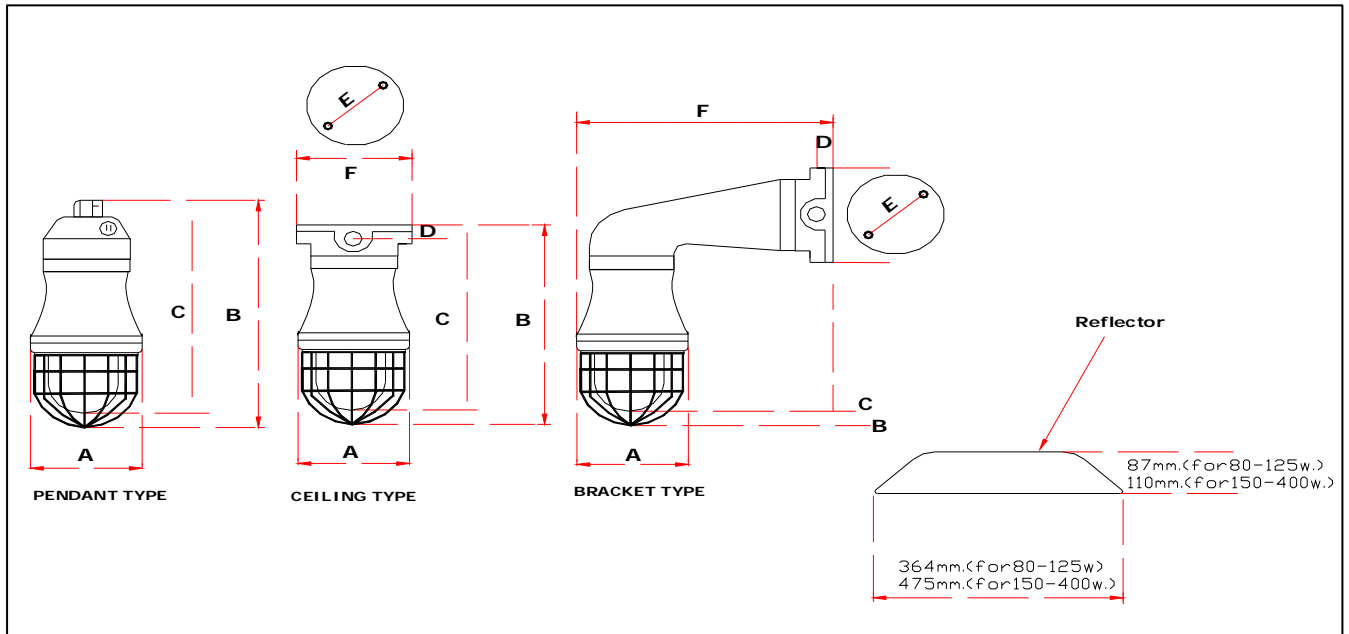
H.I.D. HIGH INTENSITY DISCHARGE LIGHTING FIXTURES

EXPLOSIONPROOF

For UL.60079-1 Standard Class I, II Div.1 and 2 Groups C,D,E,F and G

For IEC.60079-0/1 to 1 Standard Zone 1 and Zone 2

Dimension In MM.



Pendant Type and

Lamp watts	Stanchion Type			Ceiling Type						Bracket Type					
	A	B	C	A	B	C	D	E	F	A	B	C	D	E	F
Mercury Vapor															
80 ,125w.	188	340	300	188	320	278	30	127	156	188	245	200	30	127	398
250w.	250	480	464	250	463	446	42	128	156	250	543	518	42	128	532
400w.	293	528	472	293	468	411	30	144	176	293	560	500	30	174	390
High Pressure															
Sodium															
70w.	188	340	300	188	320	278	30	127	156	188	245	200	30	127	398
150 ,250w.	250	480	464	250	463	446	42	128	156	250	543	518	42	128	532
400w.	293	528	472	293	468	411	30	144	176	293	560	500	30	174	390
Metal Halide															
250w.	250	480	464	250	463	446	42	128	156	250	543	518	42	128	532
400w.	293	528	472	293	468	411	30	144	176	293	560	500	30	174	390

Note.

* The lighting fixture is inclusively supplied ballast housing and other fittings for installation.



HID. HIGH INTENSITY DISCHARGE LIGHTING FIXTURES

EXPLOSIONPROOF

For UL.60079-1 Standard Class I, II Div.1 and 2 Groups C,D,E,F and G

For IEC.60079-0/1 to 1 Standard Zone 1 and Zone 2



Typical Installations

