

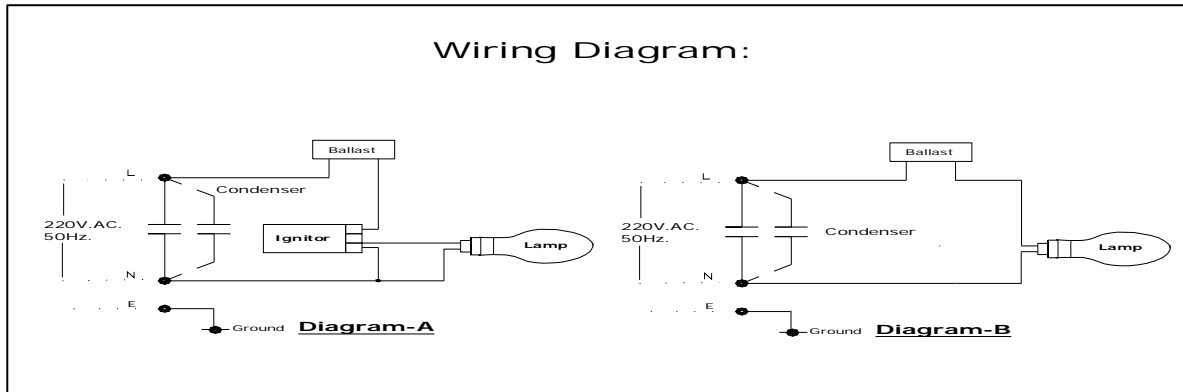
**HAZARD:GARD H.I.D LIGHTING FIXTURES
INTEGRAL BALLAST FACTORY SEALED**



EXPLOSIONPROOF

For UL.60079 - 15 Standard Class I,II Div.2 Groups C,D,E,F and G

For IEC.60079 - 15 Standard Zone 2



Catalogue Numbers:

Lamp Type	Lamp Watts	Hub Size NPT.(inch)	wiring Diagram	Temp.Class		Catalogue Number						Lamp Holders.
				(Surface Temp.)		Pendant	Weight kgs.	Stanchion	Weight kgs.	Bracket	Weight kgs.	
				40 C Ta	55 C Ta							
Mercury Vapor	80	1/2"	Diagram-B	T5	T4	FMV 80P	7.20	FMV 80S	7.80	FMV 80B	7.800	E 27
	125	1/2"	Diagram-B	T5	T4	FMV 125P	7.48	FMV 125S	8.080	FMV 125B	7.480	E 27
	250	3/4"	Diagram-B	T4	T4	FMV 250P	16.80	FMV 250S	17.45	FMV 250B	16.80	E 40
	400	3/4"	Diagram-B	T4	T3	FMV 400P	21.00	FMV 400S	21.50	FMV 400B	21.00	E 40
High Pressure Sodium	70	1/2"	Diagram-B	T5	T5	FPS 70P	7.45	FPS 70S	8.05	FPS 70B	8.05	E 27
	150	3/4"	Diagram-A	T5	T5	FPS 150P	16.88	FPS 150S	17.48	FPS 150B	16.88	E 40
	250	3/4"	Diagram-A	T4	T4	FPS 250P	17.08	FPS 250S	18.18	FPS 250B	17.08	E 40
	400	3/4"	Diagram-A	T4	T3	FPS 400P	21.48	FPS 400S	21.98	FPS 400B	21.48	E 40
Metal Halide	250	3/4"	Diagram-A	T4	T4	FMH 250P	17.08	FMH 250S	18.18	FMH 250B	17.08	E 40
	400	3/4"	Diagram-B	T4	T3	FMH 400P	21.48	FMH 400S	21.98	FMH 400B	21.48	E 40
Mercury	160	1/2"	-	T4A	T4A	FMT 160P	7.45	FMT 160S	8.05	FMT 160B	8.05	E 27
Tungsten	250	3/4"	-	T3C	T3C	FMT 250P	17.08	FMT 250S	21.98	FMT 250B	17.08	E 40

HAZARD:GARD H.I.D LIGHTING FIXTURES
INTEGRAL BALLAST FACTORY SEALED

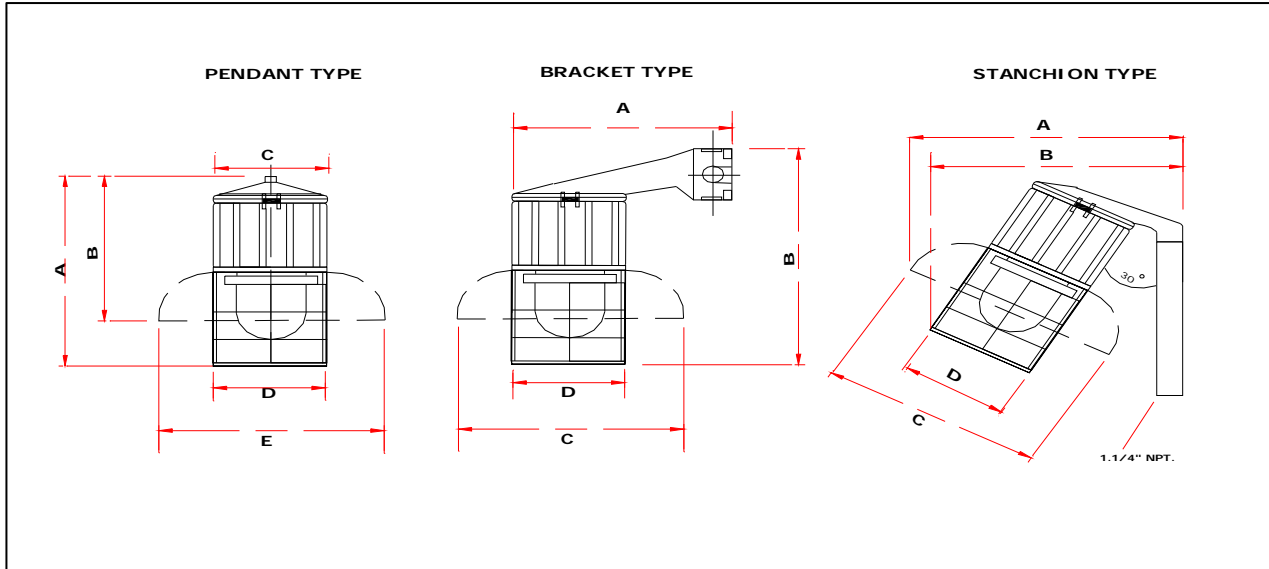


EXPLOSIONPROOF

For UL.60079 - 15 Standard Class I,II Div.2 Groups C,D,E,F and G

For IEC.60079 - 15 Standard Zone 2

Dimension In MM.



Lamp watts	Pendant Type					Bracket Type				Stanchion Type			
	A	B	C	D	E	A	B	C	D	A	B	C	D
Mercury Vapor													
80 ,125w.	438	335	225	165	364	310	458	364	165	485	470	364	165
250w.	460	397	260	205	364	332	485	364	205	475	455	364	205
400w.	525	420	340	285	475	460	535	475	285	590	400	475	285
High Pressure Sodium													
70w.	438	335	225	165	364	310	458	364	165	485	470	364	165
150 ,250w.	460	397	260	205	364	332	485	364	205	475	455	364	205
400w.	525	420	340	285	475	460	535	475	285	590	400	475	285
Metal Halide													
250w.	438	397	260	165	364	332	485	364	205	475	455	364	205
400w.	590	420	340	285	475	460	535	475	285	590	400	475	285
Mercury Tungsten													
160w.	438	335	225	165	364	310	458	364	165	485	470	364	165
250w.	460	397	260	205	364	332	535	364	205	475	400	364	205