



FHG Halogen Lamp

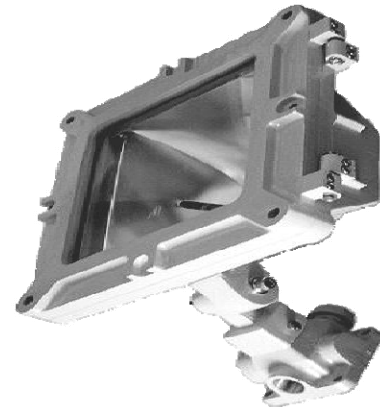
Certification Number:



ISO9001:2008

Technical data

- Type of Protection: Ex de IIA T1 - T3
- Conforming to : Standards IEC 60079-0 to 1 or UL 60079-1
- Marking for test : Ex II2G
- Degree of Protection : IP 65 acc.To IEC 60529
- Ambient Temp. (Ta) : -20°C to+ 55°C
- Rated Voltage : 220-240V.AC. 50/60Hz.
- Type : FHG
- Lamp : Halogen
- Transparent cover : Borosilicate glass
- Protection class for UL. : Class I, Division1 or 2 Group.C,D
Class II, Division1 or 2 Groups.E,F,G
Class III
- Protection class for IEC : Zone1and Zone 2



Applications:

FHG lighting fixtures are permanently installed to provide general illumination in locations having hazardous atmospheres, such as :

- process plants
- Benzene plants
- Methane plants
- outdoor or wet and corrosive locations.

Standard Materials:

- Fixture body - Copper-free aluminium
- Lens - Heat and impact resistant clear glass
- Bracket - Brass - Epoxy-polyester powder
- Reflector - Anodized aluminium
- Hinge , bolts - Stainless steel

Standard Finishes:

- Copper-free aluminium - Epoxy-polyester power.
- Brass,Stainless - Natural
- Anodized aluminium - Natural

Features:

- FHG quartz lighting fixtures have :
- rugged and compact design
 - door which includes threaded lens ring that encloses heat and impact-resistant glass lens
 - the base joined to housing by factory sealed coupling
 - an access door in base for wiring and positioning
 - a one-piece reflector, precision-formed with polished or etched surface

| Lamp Watts | Temp. Class (Surface Temp.) | | Cat. No. |
|------------|-----------------------------|---------|----------|
| | 40 C Ta | 55 C Ta | |
| 300 | T3C | T3B | FHG0300 |
| 500 | T3C | T2D | FHG0500 |
| 1000 | T2B | T2A | FHG01000 |
| 1500 | T1 | T1 | FHG01500 |

Catalogue Numbers and Dimensions:

