



REQS Receptacles and EPJ Plug Factory Sealed

EXPLOSIONPROOF

For UL.60079-1 Standard Class I,II Div.1 and 2 Groups C,D,E,F and G

For IEC.60079-0/1 Standard Zone 1 and Zone 2



ISO9001:2008



Technical data

- Type of Protection: Ex d IIA T6
- Conforming to : Standards IEC 60079-0 /1 or UL 60079-1
- Marking for test : Ex II2G
- Degree of Protection : IP66 acc.To IEC 60529
- Rated Voltage : up to 240 V-
- Rated current : up to 32 A.
- Electrical rating range : 10 - 30A. 220V.AC.
- Type : REQS , RPJ
- Protection class for UL. : Class I, Division1 or 2 Group.C,D
Class II, Division 1 or 2 Groups.E,F,G
Class III
- Protection class for IEC : Zone1and Zone 2



REQS RECEPTACLES AND SWITCHES

Descriptions :

The RPJ receptacle, REQ plug and Switches Series are suitable for: hazardous locations due to the presence of flammable gasses or vapors. installation in petroleum refineries, chemical plants processing of grain, flour of starch, and storage areas where hazardous substances are handled damp, wet or corrosive locations. area where heavy duty receptacles and plugs are necessary.



EPJ PLUG

Features:

- Angle type receptacles, 3/4 inch NPT dead for 15 - 30 AT.
- Two mounting lugs.
- Receptacles and plugs are equipped with a mechanism which prevents with drawal of plug until the release knob is pressed.
- Plug have extra long grounding poles, make contact first and break contact last for maximum safety.
- Factory sealed receptacles to simplify installation and wiring external seals are not required.
- The key slot provided in the receptacles engages the key of the plugs permitting entrance in only one position.
- Safety breaker switch for automatically shut down the circuit in the event of an overcurrent or shortcircuit current.
- Switch can be locked in "ON" or "OFF" position.

Standard Materials:

- Receptacle housing, cover and plug exteriors - Copper-free aluminium
- Insulation - Bakelite
- Solid split-type contact - Brass
- Machanism and bolts - Stainless steel
- Body , cover and operating handle - Copper-free aluminium

Standard Finishes:

- Copper-free aluminium - Epoxy-polyester powder
- Brass - Silver plated
- Stainless steel - Natural

Catalogue Number :

Amp. Trip and Switches	Hub Size NPT.	Cat.No. Receptacles and Switch	Cat.No. Plug
1PH / 2W / 3P (2P+G)			
10	3/4"	REQS 2110	EPJ 2110
15	3/4"	REQS 2115	EPJ 2115
20	3/4"	REQS 2120	EPJ 2120
30	3/4"	REQS 2130	EPJ 2130



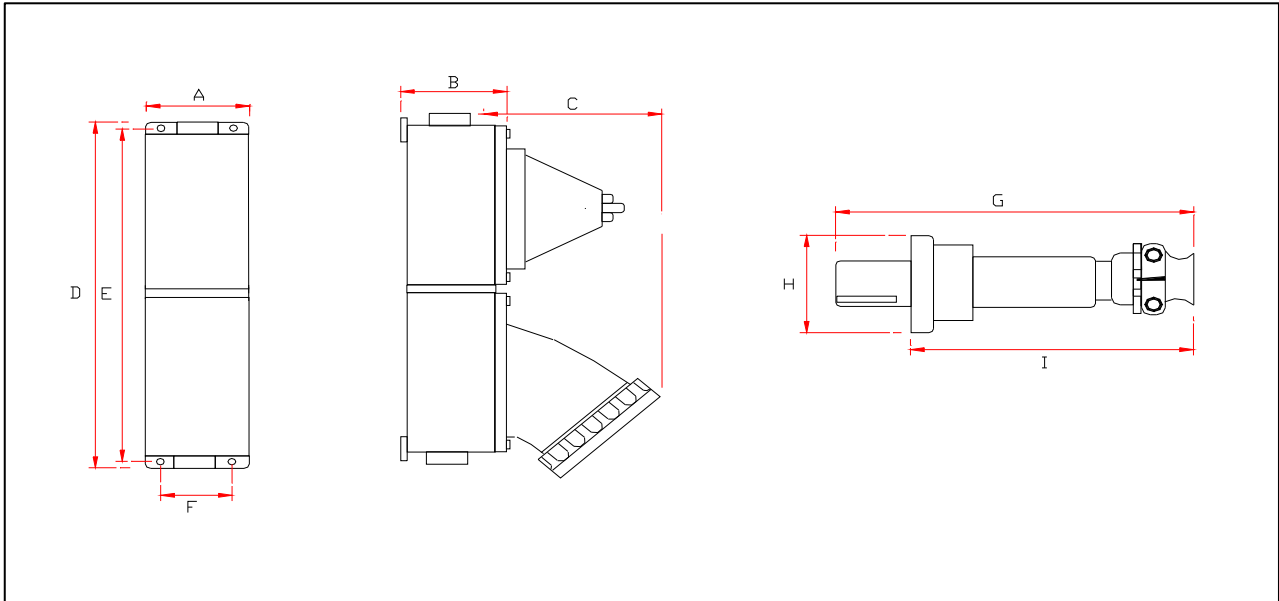
REQS Receptacles and EPJ Plug Factory Sealed

EXPLOSIONPROOF

For UL.60079-1 Standard Class I,II Div.1 and 2 Groups C,D,E,F and G

For IEC.60079-0/1 Standard Zone 1 and Zone 2

Dimensions in MM.



Dimension in mm.

Amp. Trip		A	B	C	D	E	F	G	H	I
Switch										
1PH / 2W / 3P (2P+G)										
	10	90	73	162	177	155	70	153	75	110
	15	90	73	162	177	155	70	153	75	110
	20	90	73	162	177	155	70	153	75	110
	30	90	73	162	177	155	70	153	75	110