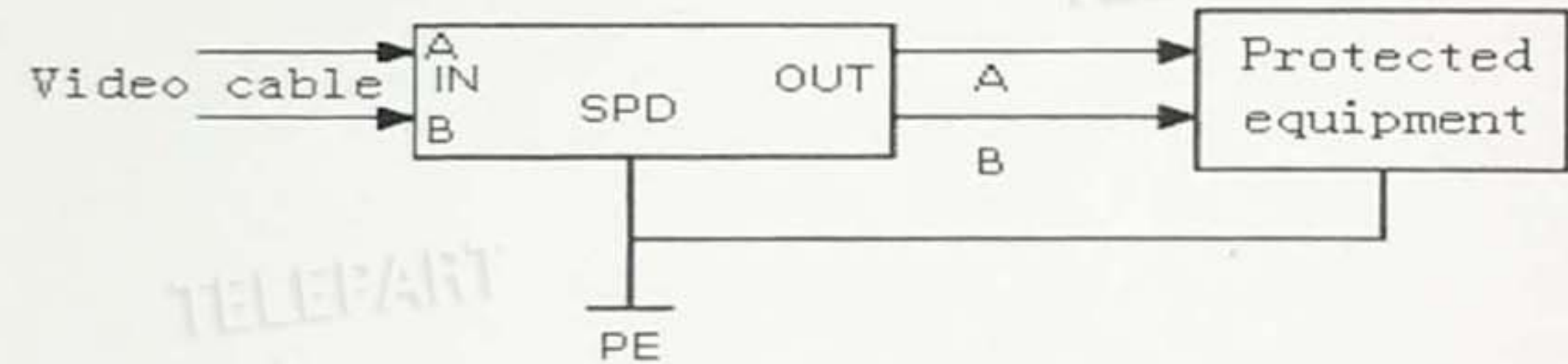


## Install schematic



## Video Signal SPD

## Video Signal SPD

For transmission via coaxial cable video and data signals over-voltage protection-related equipment. Protective equipment against induced over-voltage, over-voltage and electrostatic discharge caused by damage.

### Main features

1. Flow capacity, fast response
2. Multi-level protection circuit, residual depression
3. Use the core components of international brand products, excellent performance
4. Take place through the special treatment to avoid signal interference
5. Small size, easy installation

### Technical parameters

|  |                     |
|--|---------------------|
| Nominal voltage $U_n$                          | 5.5V                |
| Max continual voltage $U$                      | 6.8V                |
| Limit voltage $U_r$                            | 8.8V                |
| Nominal discharge current (8/20 $\mu$ s) $I_n$ | 5kA                 |
| Maximum Flow Capacity (8/20 $\mu$ s) $I_{max}$ | 10kA                |
| Response time $T_a$                            | $\leq 1$ ns         |
| transfer rate $V_s$                            | $\leq 10$ Mbps      |
| Insertion loss $A_E$                           | $\leq 0.5$ dB       |
| Impedance $Z_0$                                | 75 $\Omega$         |
| Connector Type                                 | BNC                 |
| Dimension (mm)                                 | 65*25*25   85*25*25 |
| Notes  | (1-channel)         |